

ROYAL MAIL DOOR TO DOOR

Rate Card

Royal Mail Door to Door®



Prices effective from 31 March 2025



Contents

Know Your Items	2
Local Handover and Collection Services	3
Geographic-based Pricing Bands for Standard Contracts Over 200,000 Items	4
Door to Door Prices	5
Standard Prices up to 200,000 items	5
Over 200,000 items, weight up to and including:	
20g*	5
35g*	5
60g*	6
80g*	6
100g*	6
New User	7
Heavyweight	7

*All items of more than 5mm in depth must be booked through the Door to Door Booking Centre. Please call 0345 266 0858 for advice.

All prices relate to contracts distributed over a maximum of 18 continuous weeks

Contact us

We hope that this Rate Card has been useful, but should you need any further help or advice, please do contact the Door to Door team on **0345 266 0858** or by email **doortodoor@royalmail.com**

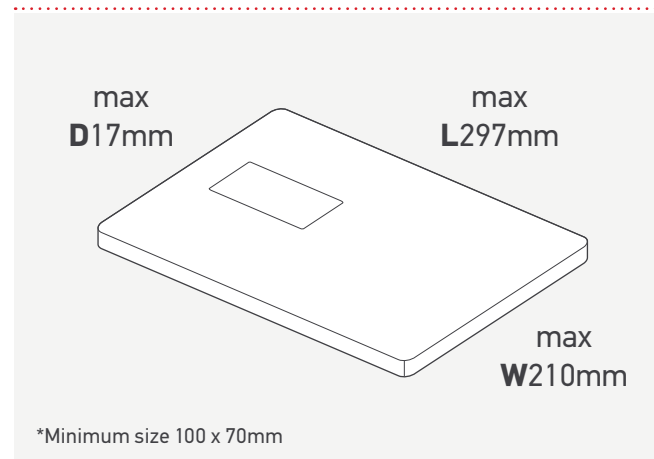
Although correct at the time this Rate Card was produced (March 2025), postal prices, fees and other conditions are subject to revision from time to time and services may need to be added or withdrawn. Please check **royalmail.com/doortodoor** for the latest prices.

Royal Mail and the cruciform are trade marks of Royal Mail Group Limited. © Royal Mail Group Limited 2025. All rights reserved. Royal Mail Group Limited, registered in England and Wales, number 4138203, registered office: 185 Farringdon Road, London, EC1A 1AA.

Know Your Items

Your Door to Door contract is priced by weight and size. Here are the maximum and minimum sizes that your Door to Door items must adhere to.

Items up to 200g*



All items of more than **5mm in depth** must be booked through the Door to Door Booking Centre. Please call **0345 266 0858** for advice. For further information visit: **royalmail.com/doortodoor**

The Door to Door Handover and User Guide can be found at **royalmail.com/doortodoor** and contains details of how to prepare your items for delivery and handing over at our dedicated Walk Bundling Centres.

We can check your item when you send us a sample, and if you want to talk anything through with the team you can call us on **0345 266 0858**.

Local Handover and Collection Services

For added convenience we have improved our handover options so you now have the choice of the following services:

1. Local Handover Service – suitable for smaller contracts, it offers handover at either our local Customer Service Points or using our Parcel Collect service, and delivery from there to our Walk Bundling Centres via our Royal Mail Tracked parcel service. Priced at £4.75 per box plus £5 booking fee (excluding VAT).

2. Door to Door Collection Service – a pallet-based service suitable for larger contracts, offering collection, storage and handover of your items to our Walk Bundling Centres in accordance with your handover schedule. Priced per volume and weight of items collected.

Please call our Door to Door team on 0345 266 0858 for more information.

Repackaging Fee

You can present your items to us in either boxes or secure bundles. Boxes must weigh less than 10kg and Bundles less than 6.4kg. These are the maximum weights our teams are allowed to carry. Each Box or Bundle must contain the same number of items and weigh the same, and all items should be made from the same paper stock and weight. This allows us to quickly and accurately count and bundle the correct number of items for each delivery officer's walk.

Please refer to our User Guide for full information regarding preparing your items for handover, which can be found at royalmail.com/doortodoor Where we have need to repackage your boxes or bundles at the Walk Bundling Centre because it hasn't been handed over to us in a compliant manner, we will contact you to inform you and may charge you the following fees:

1. For the first hour or part thereof – £100 (excluding VAT)
 2. For each subsequent hour or part thereof – £75 (excluding VAT)
- For full details of our Repackaging policy, please refer to our Door to Door Terms and Conditions which are available at royalmail.com/doortodoor

Our Cancellation Charges

If you cancel all or part of a delivery or end our Agreement in whole or part, or if we refuse to accept or deliver items because they do not comply with our Terms and Conditions, the following cancellation fees apply:

- If there are twenty-six (26) weeks or more left before the first day of delivery to the applicable postcode sector(s) – we will charge 10% of the delivery charges (subject to a minimum fee of £100).
- If there are fewer than twenty-six (26) weeks but more than thirteen (13) weeks left before the first day of delivery to the applicable postcode sector(s) – we will charge 20% of the delivery charges (subject to a minimum fee of £100).
- If there are thirteen (13) weeks or less left before the first day of delivery to the applicable postcode sector(s) and you have not completed handover – we will charge 50% of the delivery charges (subject to a minimum fee of £100).
- If there are thirteen (13) weeks or less left before the first day of delivery to the applicable postcode sector(s) and you have completed handover – we will charge 100% of the delivery charges (subject to a minimum fee of £100).
- If you do not deliver the items to be distributed and have not cancelled your items, we will charge 100% of the delivery charges (subject to a minimum fee of £100).

For exceptions to the above, please refer to our Door to Door Terms and Conditions which are available at royalmail.com/doortodoor

JICMAIL Levy

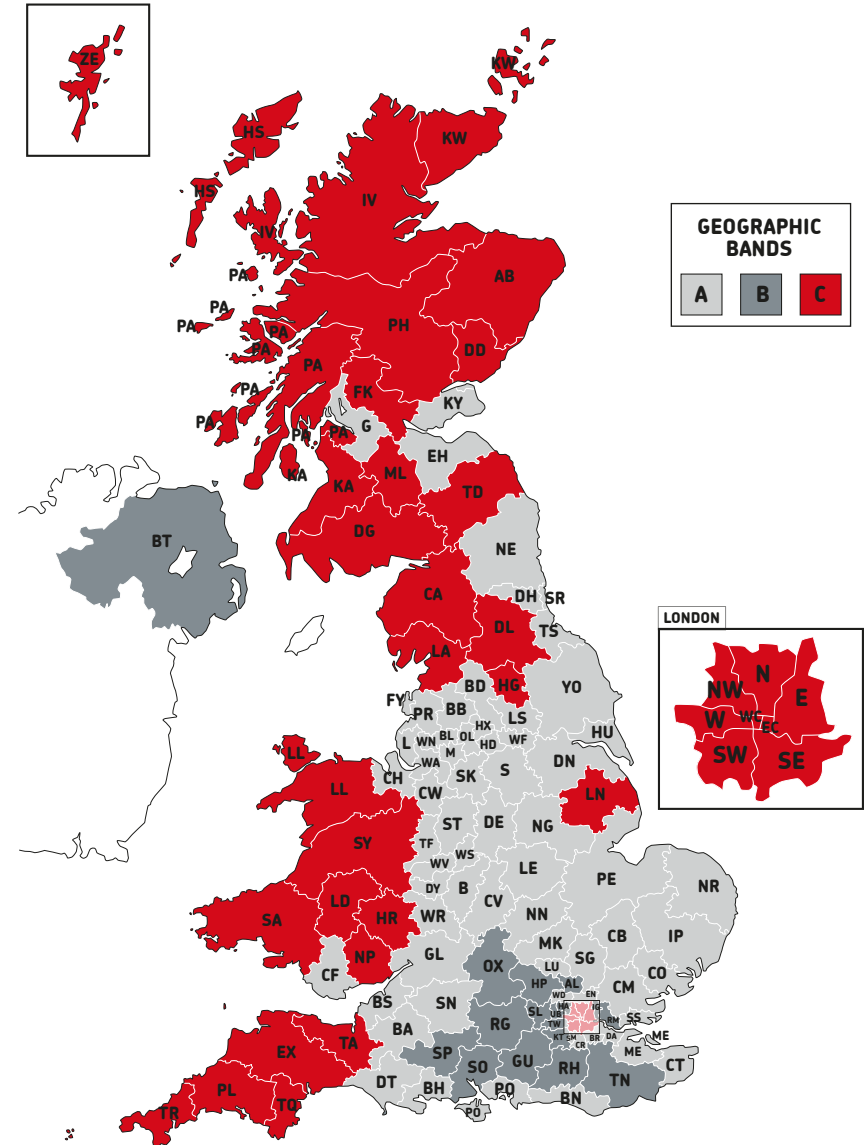
We apply a levy to Door to Door bookings to support the funding of JICMAIL. The levy, set at 0.3%, replaced the previous subscription model applied by JICMAIL, providing greater transparency of associated costs to advertisers. Royal Mail acts as a collection agent of the levy from advertisers, and passes all levies collected directly to JICMAIL. For more information please go to jicmail.org.uk

If any mailer wishes to be refunded the levy they have paid then they may email their claim to admin@jicmail.org.uk providing the required evidence and documentation as set out on the JICMAIL website.

Geographic-based Pricing Bands for Standard Contracts Over 200,000 Items

For our standard contracts of more than 200,000 items we price by geographic price bands. The Map and Table below show which pricing band each Postcode Sector in the respective Postcode Area has been assigned to:

Bands	Postcode Areas
A	B, BA, BB, BD, BH, BL, BN, BR, BS, CB, CF, CH, CM, CO, CR, CT, CV, CW, DA, DE, DH, DN, DT, DY, EH, EN, FY, G, GL, HD, HU, HX, IP, KY, L, LE, LS, LU, M, ME, MK, NE, NG, NN, NR, OL, PE, PO, PR, S, SG, SK, SM, SN, SR, SS, ST, TF, TS, WA, WD, WF, WN, WR, WS, WV & YO
B	AL, BT, GU, HA, HP, IG, KT, OX, RG, RH, RM, SL, SO, SP, TN, TW & UB
C	AB, CA, DD, DG, DL, E, EC, EX, FK, HG, HR, HS, IV, KA, KW, LA, LD, LL, LN, ML, N, NP, NW, PA, PH, PL, SA, SE, SW, SY, TA, TD, TQ, TR, W, WC & ZE



Door to Door Prices

Door to Door Standard Prices up to 200,000 items (price per 1,000 items)

Number of items	Weight up to and including (and under 5mm in depth)				
	20g	35g	60g	80g	100g
<25k	£69.99	£76.29	£97.99	£107.08	£124.58
25,000 - 100,000	£68.69	£74.87	£96.17	£105.10	£122.27
100,001 - 200,000	£65.87	£71.80	£92.22	£100.78	£117.25

Prices for items under 5mm in depth (price per 1,000 items)

Additional information about geographic bands displayed on page 4.

Weight up to and including 20 grams

Number of items	Band		
	A	B	C
200,001 - 500,000	£61.44	£63.71	£65.56
500,001 - 1,000,000	£59.97	£62.19	£63.99
1,000,001 - 2,000,000	£57.25	£59.37	£61.09
2,000,001 - 4,000,000	£53.04	£55.00	£56.59
4,000,001 - 6,000,000	£50.79	£52.67	£54.19
6,000,001 - 10,000,000	£49.70	£51.54	£53.03
10,000,000+	£48.57	£50.37	£51.82

Weight up to and including 35 grams

Number of items	Band		
	A	B	C
200,001 - 500,000	£66.97	£69.45	£71.46
500,001 - 1,000,000	£65.37	£67.79	£69.75
1,000,001 - 2,000,000	£62.40	£64.71	£66.58
2,000,001 - 4,000,000	£57.81	£59.95	£61.69
4,000,001 - 6,000,000	£55.36	£57.41	£59.07
6,000,001 - 10,000,000	£54.17	£56.18	£57.80
10,000,000+	£52.94	£54.90	£56.49

All prices are subject to VAT, and are subject to availability. A minimum charge of £200 plus VAT applies to all Door to Door contracts (excludes handling charges). All prices relate to contracts distributed over a maximum of 18 consecutive weeks. Prices in all tables exclude the JICMAIL levy of 0.3%, which is not subject to VAT.

Door to Door Prices

Prices for items under 5mm in depth (price per 1,000 items)

Additional information about geographic bands displayed on page 4.

Weight up to and including 60 grams

Number of items	Band		
	A	B	C
200,001 - 500,000	£86.02	£89.20	£91.78
500,001 - 1,000,000	£83.96	£87.06	£89.58
1,000,001 - 2,000,000	£80.15	£83.12	£85.52
2,000,001 - 4,000,000	£74.26	£77.00	£79.23
4,000,001 - 6,000,000	£71.11	£73.74	£75.87
6,000,001 - 10,000,000	£69.58	£72.15	£74.24
10,000,000+	£68.00	£70.51	£72.55

Weight up to and including 100 grams

Number of items	Band		
	A	B	C
200,001 - 500,000	£109.36	£113.41	£116.69
500,001 - 1,000,000	£106.75	£110.70	£113.90
1,000,001 - 2,000,000	£101.91	£105.68	£108.73
2,000,001 - 4,000,000	£94.41	£97.90	£100.74
4,000,001 - 6,000,000	£90.41	£93.75	£96.46
6,000,001 - 10,000,000	£88.47	£91.74	£94.39
10,000,000+	£86.45	£89.65	£92.25

Weight up to and including 80 grams

Number of items	Band		
	A	B	C
200,001 - 500,000	£94.00	£97.48	£100.30
500,001 - 1,000,000	£91.75	£95.15	£97.90
1,000,001 - 2,000,000	£87.59	£90.83	£93.46
2,000,001 - 4,000,000	£81.15	£84.15	£86.59
4,000,001 - 6,000,000	£77.71	£80.58	£82.92
6,000,001 - 10,000,000	£76.04	£78.85	£81.14
10,000,000+	£74.31	£77.06	£79.29

All prices are subject to VAT, and are subject to availability. A minimum charge of £200 plus VAT applies to all Door to Door contracts (excludes handling charges).

All prices relate to contracts distributed over a maximum of 18 consecutive weeks. Prices in all tables exclude the JICMAIL levy of 0.3%, which is not subject to VAT.

Door to Door Prices

New User under 5mm in depth (price per 1,000 items)

Number of items	Weight up to and including				
	20g	35g	60g	80g	100g
<25,000	£64.75	£70.58	£90.65	£99.07	£115.26
25,000 - 100,000	£63.54	£69.26	£88.96	£97.22	£113.10
100,001 - 200,000	£60.93	£66.41	£85.30	£93.22	£108.46
200,001 - 500,000	£56.84	£61.96	£79.58	£86.97	£101.18
500,000+	£55.48	£60.47	£77.67	£84.88	£98.75

The New User rate is available to new Door to Door customers and those who have not used Door to Door for over 18 months. The rate is available for distributions taking place during a period of six months, which commences from the week of your first distribution.

Heavyweight under 5mm in depth (price per 1,000 items)

Number of items	Weight up to and including				
	120g	140g	160g	180g	200g
<25,000	£173.80	£194.66	£209.57	£227.03	£246.83
25,000 - 100,000	£155.86	£174.56	£187.94	£203.60	£221.35
100,000+	£153.00	£171.36	£184.49	£199.86	£217.29

All items weighing over 200g and/or more than 5mm in depth must be booked through the Door to Door Booking Centre. Please call **0345 266 0858** for advice.

All prices are subject to VAT, and are subject to availability. A minimum charge of £200 plus VAT applies to all Door to Door contracts (excludes handling charges). New User and Heavyweight prices relate to contracts distributed over a maximum of 18 consecutive weeks. Prices in all tables exclude the JICMAIL levy of 0.3%, which is not subject to VAT.

